

Optional 1/2" fitting for through wall mounting pictured (100 watt heaters only)

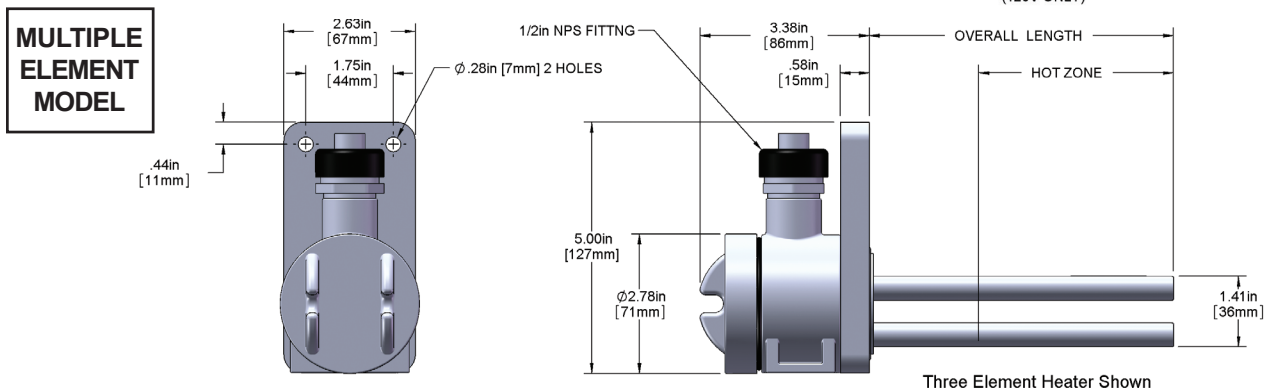
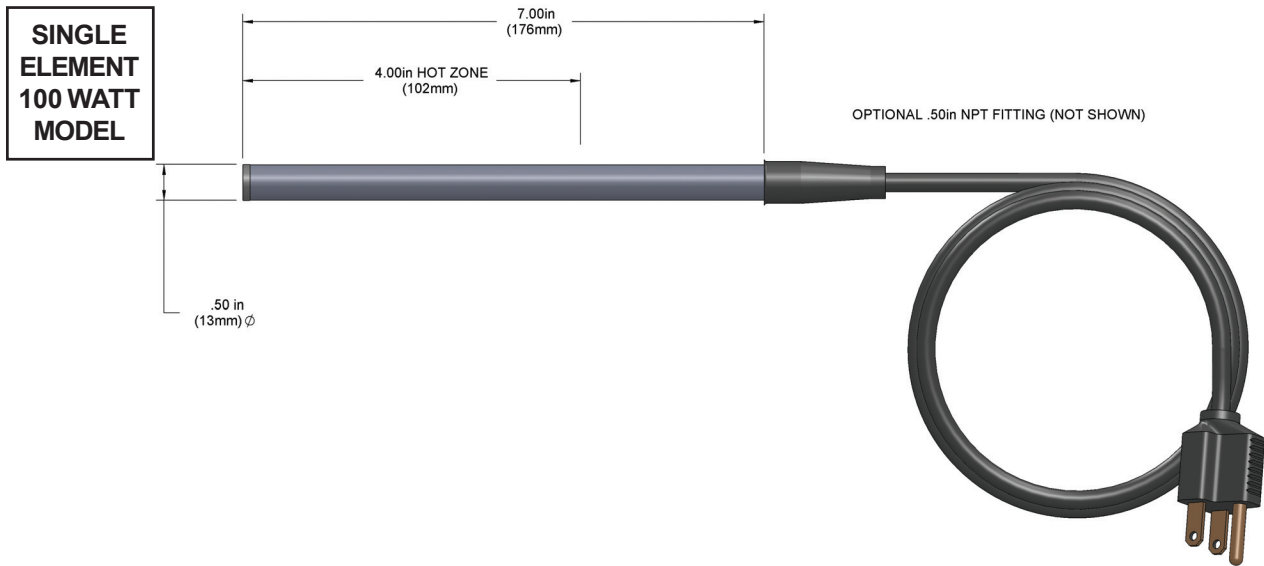
V SERIES, VARIPOWER HEATERS							
WATTS	VOLTS	HOT ZONE LENGTH		NO. OF ELEMENTS	316 SS	FLUOROPOLYMER (PFA)	SHIP WGT. Lbs./kg
		In./(mm)	In./(mm)				
100	120	4	7	1	VS.1107	VX.1107	1
	240	(100)	(180)	1	VS.1207	VX.1207	(.5)
300	120	6	11	2	VS.3111	VX.3111	1
	240	(155)	(280)	2	VS.3211	VX.3211	(.5)
500	120	6	11	3	VS.5111	VX.5111	2
	240	(155)	(280)	3	VS.5211	VX.5211	(1)
1000	120	6	11	6	VS1111	VX1111	3
	240	(155)	(280)	6	VS1211	VX1211	(1.5)

Designed for vertical installation. Patented self-regulating design protects against overheating and fires.

Product Features and Benefits:

- ◆ **SUPERIOR CHEMICAL RESISTANCE:** Materials available for use in most aqueous plating solutions.
 - Fluoropolymer (PFA) models are inert to most aqueous acid, alkaline, anodizing and pickling solutions up to 212°F (100°C).
 - 316 stainless steel models are suitable for less corrosive applications.
 - Check solution recommendation chart or with your chemical supplier for proper sheath material selection.
 - ◆ **RUGGED CONSTRUCTION:** 316 stainless steel or fluoropolymer (PFA) covered. Heavy wall fluoropolymer (PFA) covered stainless steel element reduces permeation and eliminates the need for gas purge systems. Guaranteed 100% pinhole free.
 - ◆ **OUTSTANDING PERFORMANCE:** Low watt density design (20 watts/square inch, 3 w/cm²) for long service life. Auto stabilizing solid state element prevents hot spots and ensures uniform heating
 - ◆ **CORROSION RESISTANT HEAD:**
 - Vapor tight, flame retardant polypropylene terminal enclosure (do not immerse).
 - 4-foot (1.2m) cord with rubber cap standard on single tube heater.
 - 3-foot (.9m) flexible PVC liquid tight conduit for 300 watt and larger multi-tube units.
 - Plug included with 100 watt, 120-volt heaters only.
 - ◆ **SAFETY FEATURES:**
 - Patented self-regulating design protects against overheating. Additional thermal protection not required.
 - Grounded internal metal element.
 - Non-floating construction.
 - ◆ **CERTIFICATIONS:** CE.
 - ◆ **SIZES:** 100 watts to 1,000 watts.
 - ◆ **VOLTAGES:** 120 or 240 volts. 208 volts available. Single phase only.
 - ◆ **OPTIONS AVAILABLE (consult factory):**
 - Special configurations and lengths.
 - Threaded 1/2" MNPT PVDF compression fittings for through tank wall installations (100 watt single element versions only).
 - Longer cord lengths or wire and conduit lengths.
 - Titanium sheaths.
 - Prewired plug-in connectors.
 - Temperature and level controls sized to match the heater.
- NOTE:** Do not immerse terminal enclosure or complete element.

DIMENSIONS



VARIPOWER ORDERING INFORMATION

Series	Wattage	Voltages	Overall length (in inches)	Cord or wire and conduit
	.1 = 100 .3 = 300 .5 = 500 1 = 1,000	1 = 120 2 = 240 8 = 208		
		7 = 100W 11 = 300W (2 element) 500W (3 element) 1,000W (6 element)		
	VS = 316 stainless steel VX = fluoropolymer		4 foot cord and plug (100W/120V only) or 4 foot wire and conduit (300-1,000 watt models) = no designator. Specify variations from standard Ex: -X84 = 84" long cord or wire	1 inch = 25.4mm

ORDERING EXAMPLE:

VX.1107-X60

Varipower fluoropolymer, 100 watt, 120 volt, 7" long, 60" cord and plug.

