

## EXCELLENT CHEMICAL RESISTANCE TO AGGRESSIVE ACIDS

Compatible with virtually any chemistry. Excellent chemical resistance to aggressive acids! Inert to most solutions with a corrosion-resistant head. Low watt density. Built-in thermal protector and grounded element. Spiral, low profile, bottom heater. Fluoropolymer (PTFE) sleeved 304 stainless elements inert to most solutions. 500-9000 watts, 120-480 volts.



### FEATURES

Inert to most aqueous acid, alkaline, anodizing, & picking solutions.

Rugged, heavy wall PTFE covered stainless steel element reduces permeation. Guaranteed 100% pinhole free.

Space saving & long service life with low Watt density design of 10 W/in<sup>2</sup> (1.5 W/cm<sup>2</sup>).

Vapor-resistant, flame retardant polypropylene terminal enclosure with 3 ft (.9m) flexible PVC liquid tight conduit.

Lower watt densities available for highly viscous solutions & technical acids.

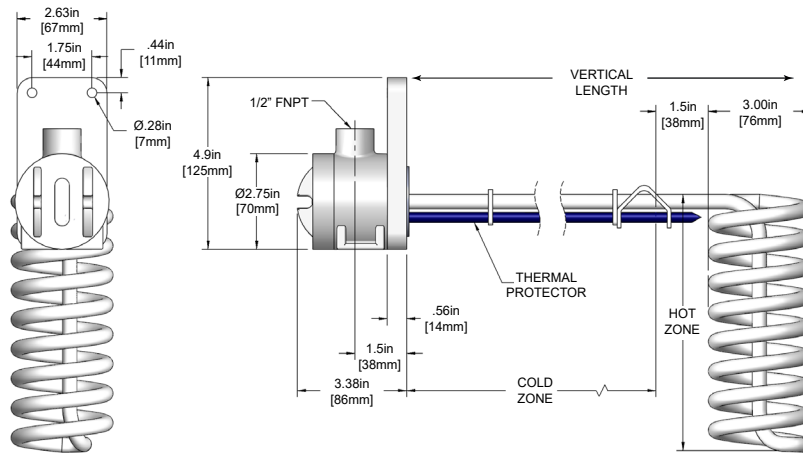
HXL SERIES, SPIRAL L-SHAPED FLUOROPOLYMER (PTFE) HEATERS						
WATTS	VOLTS	HOT ZONE in/(mm)	OVERALL LENGTH in/(mm)	MAX. COLD ZONE in/(mm)	MODEL NUMBER	SHIP WGT. lbs/(kg)
500	120	6	12	41	HXL5106-R*.**	6
	240	(152)	(305)	(1041)	HXL5206-R*.**	(2.7)
1000	120	8	12	41	HXL1108-R*.**	7
	240	(203)	(305)	(1041)	HXL1208-R*.**	(3.2)
2000	120	12	18	40	HXL2112-R*.**	8
	240	(305)	(457)	(1016)	HXL2212-R*.**	(3.6)
	480				HXL2412-R*.**	
3000	240	17	18	40	HXL3217-R*.**	13
	480	(432)	(457)	(1016)	HXL3417-R*.**	(5.9)
4000	240	20	18	40	HXL4220-R*.**	15
	480	(508)	(457)	(1016)	HXL4420-R*.**	(6.8)
5000	240	24	18	36	HXL5224-R*.**	18
	480	(610)	(457)	(914)	HXL5424-R*.**	(8.2)
6000	240	29	18	30	HXL6229-R*.**	21
	480	(737)	(457)	(762)	HXL6429-R*.**	(9.5)
8000	240	37	18	32	2HXL8237-R*.**	26
	480	(940)	(457)	(813)	2HXL8437-R*.**	(11.8)
9000	240	44	18	35	2HXL9244-R*.**	29
	480	(1118)	(457)	(889)	2HXL9444-R*.**	(13.2)

# HXL Fluoropolymer Heater

## SPECIFICATIONS

Wattages	500 Watts to 9,000 Watts
Voltages	120 volts to 480 volts
Safety Features	<p>Grounded internal metal element</p> <p>Built-in thermal protector. Replaceable PI protector Other options available</p> <p>Non-floating constructions</p>

## DIMENSIONS



## MODEL NUMBER BREAKDOWN

Series	Wattage	Voltage	Diameter (in.)	Vertical Length (in.)	Type of Protector	Wire & Conduit Length	
HXL = 1 element	.5 = 500	1 = 120	06 = .5kW	R12 = .5kW	<b>Replaceable Fuse</b>	36" length standard (no designator)	
2HXL = 2 element	1 = 1000	2 = 240	08 = 1kW	R12 = 1kW	P1 (std) = solutions up to 190°F	Specify variations from standard Ex: -X84 = 84"	
	2 = 2000	3 = 380	12 = 2kW	R18 = 2kW	<b>Resettable Fuse</b>		
	3 = 3000	4 = 480	17 = 3kW	R18 = 3kW	P2 = solutions up to 190°F		
	4 = 4000	5 = 415	20 = 4kW	R18 = 4kW	P8 = solutions up to 210°F		
	5 = 5000	6 = 600	24 = 5kW	R18 = 5kW	P3 = solutions up to 250°F		
	6 = 6000	7 = 400	29 = 6kW	R18 = 6kW			
	8 = 8000	8 = 208	37 = 8kW	R18 = 8kW			
	9 = 9000	9 = 220	44 = 9kW	R18 = 9kW			
		0 = 200			Specify custom lengths		