

New Holland Industrial Dryers

K-11 K-24 K-90 K-94



NEW HOLLAND



CAUTION

MAX. BASKET LOAD

MODEL	MAX. BASKET LOAD (LBS)	MAX. BASKET LOAD (KGS)
K-11	750	340
K-24	1500	680
K-90	3000	1360
K-94	3000	1360

USE BASKET TO HOLD FREE SPINNING OF ROTATIONAL COMPONENTS & BASKET. KEEP HANDS AWAY FROM ALL ROTATION POINTS.
KEEP ALL GUARDS IN PLACE.
LOCK OFF ELECTRICAL POWER BEFORE REPAIRING ANY OR SERVICE ON THIS MACHINE.
REPLACE ALL SHIELDS BEFORE RESUMPTION OF ELECTRICAL POWER.
EXERCISE CARE WITH HEATER ELEMENT AND WITH HEATED LID SURFACES.

CAUTION

MAX. BASKET LOAD

MODEL	MAX. BASKET LOAD (LBS)	MAX. BASKET LOAD (KGS)
K-11	750	340
K-24	1500	680
K-90	3000	1360
K-94	3000	1360

DO NOT ATTEMPT TO STOP ROTATION OR REMOVE BASKET UNTIL ROTATION HAS FULLY STOPPED.
CONTACT WITH MOVING BASKET MAY CAUSE HAND OR ARM INJURY.

CAUTION

BASKET WILL CONTINUE TO ROTATE FOR SOME TIME AFTER POWER IS TURNED OFF.

- LISTEN FOR EVIDENCE OF ROTATION.
- DO NOT OPEN LID UNTIL BASKET STOPS TURNING.
- DO NOT ATTEMPT TO STOP ROTATION OR REMOVE BASKET UNTIL ROTATION HAS FULLY STOPPED.
- CONTACT WITH MOVING BASKET MAY CAUSE HAND OR ARM INJURY.

MODELS & 24

HEATER ELEMENTS (WATTAGE) HEATER ELEMENTS (WATTAGE)

MODEL	HEATER ELEMENTS (WATTAGE)	HEATER ELEMENTS (WATTAGE)
K-11	1500	1500
K-24	3000	3000
K-90	6000	6000
K-94	6000	6000

HEATER ON

HEATER OFF

ON

OFF

ON

OFF

ON

OFF

HEATER MOTOR

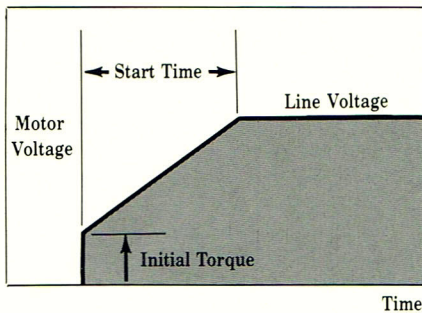
Dry small parts quickly and efficiently with less damage and fewer rejects

The right choice

Industrial dryers from New Holland speed production by drying two ways. Centrifugal force from the spinning action of the basket "throws off" excess water, oils, rinses or paints. At the same time, a turbine fan mounted below the basket creates a powerful suction that pulls air through the parts load for added drying power. This double-drying action assures fast drying and reduces the scarring and marring frequently responsible for costly rejects. In most cases, you'll get unspotted, moisture-free parts in less than 60 seconds.

Soft Start Control handles parts gently

The optional Soft Start motor control provides a smooth, stepless, reduced-voltage acceleration of the parts load to minimize scarring and scratching of delicate parts. You adjust the initial torque and timing of the Soft Start to fit your needs. The initial torque applied to the motor is adjustable from 40% to 60% of line voltage, while the amount of time the dryer takes to accelerate from initial torque to the full line voltage is adjustable from one to ten seconds. You tailor the Soft Start to your operation and readjust for different parts loads when needed.



Easy 3-step operation . . .



- 1 Operator depresses foot brake to stop spinner and unlock cover.



- 2 Cover swings in either direction, allowing ample loading clearance. Operator loads basket with parts and places it in the spinner housing.

- 3 The operator must close the cover completely before the dryer will start. A button on the side of the electrical control box starts the spinning action of the drum.



Model K-11 Tabletop Dryer

The Model K-11 tabletop dryer, with its seven-pound capacity, is designed for short runs and laboratory testing. It's also ideal for drying batches of very small plated parts like jewelry and electronic components. The compact "K-11" occupies only about one square foot of table space to fit neatly into your operation.

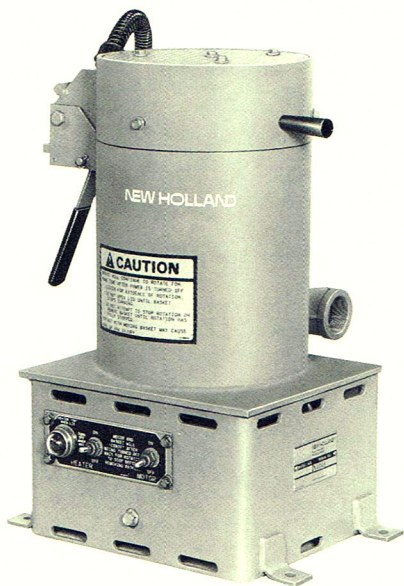


The space-saving "K-11" gently and efficiently cleans small plated parts. And like all New Holland industrial dryers, it's very easy to operate.

Four dryer models with capacities to match your production requirements

Model K-11 Tabletop—6" x 6"

Overall Height.....	19.5"
Work Height.....	16 1/8"
Table Space Required.....	9 3/8" x 14"
Weight.....	79 lb.s
Operating Speed.....	1,100 rpm
Motor Size.....	1/8 hp
Basket Size.....	6" x 6"
Capacity.....	7 lbs.
Bearings.....	2, sealed ball
Reversible Control.....	No
Drive.....	Direct coupled
Construction.....	Arc-welded steel plate
Electrical System.....	110/120 VAC 50/60 Hz
Heating Unit.....	600 watts switchable electric
Amperage	
Starting.....	10.1/10.4
Operating.....	6.7/7.1
Meets N.E.C. Specifications.....	Yes
U.L. Recognized.....	Yes
Grease Fittings.....	None
Meets J.I.C. Specifications.....	—



Model K-24—12" x 12"

Overall Height.....	36.5"
Work Height.....	30 1/2"
Floor Space Required.....	24" x 37"
Weight.....	400 lbs.
Operating Speed.....	825 rpm
Motor Size.....	1 hp
Basket Size.....	12" x 12"
Capacity.....	75 lbs.
Bearings.....	2, tapered roller
Reversible Control.....	Yes
Drive.....	2 V-belts
Construction.....	Arc-welded steel plate
Electrical System.....	208, 220, 440 or 550 VAC at 60 Hz; 380 VAC at 50 Hz; 3-phase
Heating Unit.....	(Optional) electric; steam
Amperage.....	Starting and operating amperage varies with voltage selected
Meets N.E.C. Specifications.....	Yes
U.L. Recognized.....	Yes
Grease Fittings.....	Exposed
Meets J.I.C. Specifications.....	Yes
Options	
Soft Start.....	Yes
Variable Speed.....	Yes
Timer.....	Yes
Temperature Control.....	Yes



Model K-90—18" x 18"

Overall Height.....40.5"
 Work Height.....37"
 Floor Space Required.....31" x 40"
 Weight.....615 lbs.
 Operating Speed.....625 rpm
 Motor Size.....2 hp
 Basket Size.....18" x 18"
 Capacity.....150 lbs.
 Bearings.....2, tapered roller
 Reversible Control.....Yes
 Drive.....2 V-belts
 Construction.....Arc-welded steel plate
 Electrical System.....208, 220, 440 or 550 VAC
 at 60 Hz; 380 VAC at 50 Hz;
 3-phase
 Heating Unit.....(Optional) electric; steam
 Amperage.....Starting and operating
 amperage varies with
 voltage selected
 Meets N.E.C. Specifications.....Yes
 U.L. Recognized.....Yes
 Grease Fittings.....Exposed
 Meets J.I.C. Specifications.....Yes
 Options
 Soft Start.....Yes
 Variable Speed.....Yes
 Timer.....Yes
 Temperature Control.....Yes

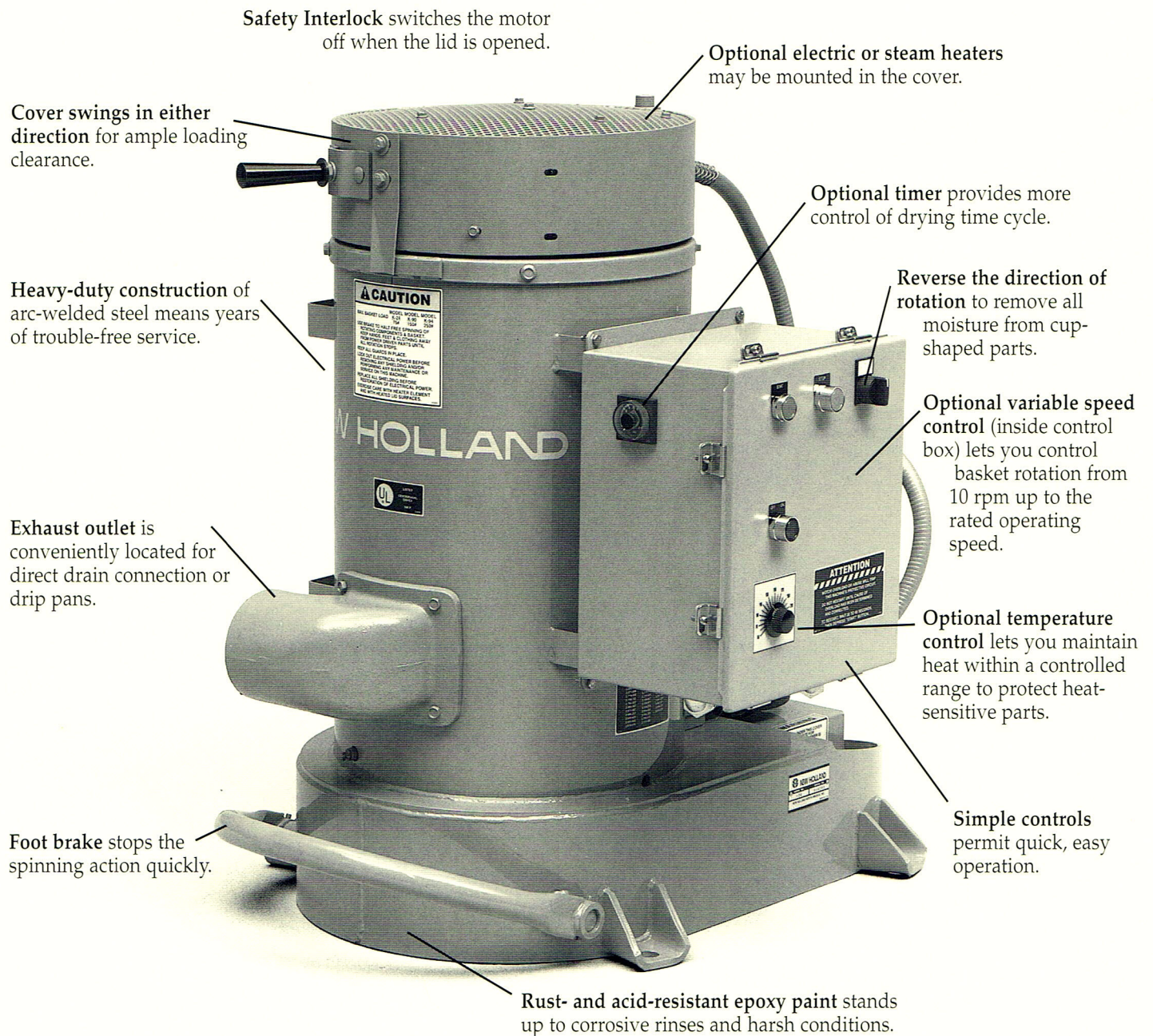


Model K-94—18" x 24"

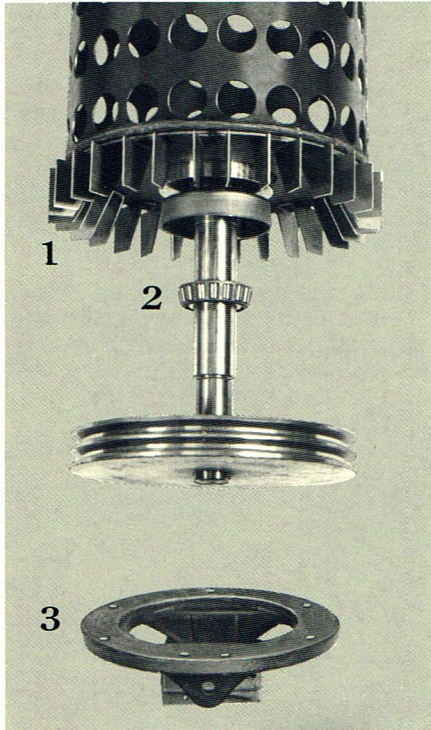
Overall Height.....46.5"
 Work Height.....43"
 Floor Space Required.....31" x 40"
 Weight.....690 lbs.
 Operating Speed.....625 rpm
 Motor Size.....3 hp
 Basket Size.....18" x 24"
 Capacity.....250 lbs.
 Bearings.....2, tapered roller
 Reversible Control.....Yes
 Drive.....2 V-belts
 Construction.....Arc-welded steel plate
 Electrical System.....208, 220, 440 or 550 VAC
 at 60 Hz; 380 VAC at 50 Hz;
 3-phase
 Heating Unit.....(Optional) electric; steam
 Amperage.....Starting and operating
 amperage varies with
 voltage selected
 Meets N.E.C. Specifications.....Yes
 U.L. Recognized.....Yes
 Grease Fittings.....Exposed
 Meets J.I.C. Specifications.....Yes
 Options
 Soft Start.....Yes
 Variable Speed.....Yes
 Timer.....Yes
 Temperature Control.....Yes



New Holland dryers . . . the most features and the most value



Options

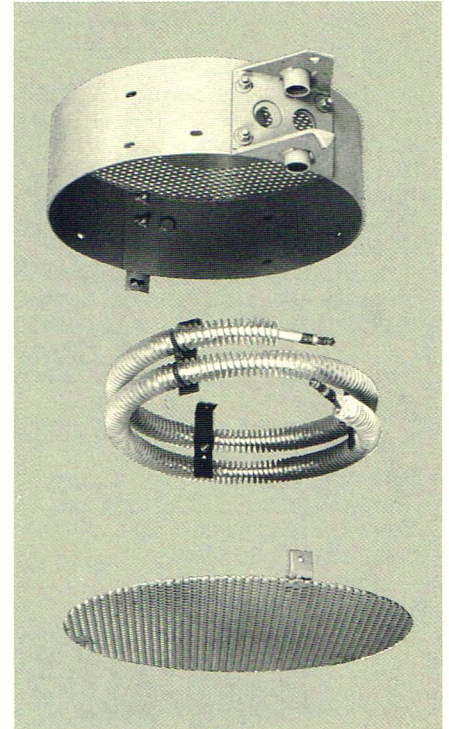


- 1 **Thirty-blade suction turbine** continuously pulls fresh air through the spinner for thorough drying.
- 2 **Tapered roller bearings** assure long life and quiet operation.
- 3 **Heavy-duty brake shoe** grips driven sheave with positive action to stop spinning action quickly

J.I.C.-rated 110-volt control circuit is standard equipment on Model K-24, K-90 and K-94.

Baskets are sold separately from dryer units. Optional wire baskets are available in carbon steel or type 304 stainless steel in #4, #8, #10, or #16 mesh. Polypropylene and wire mesh baskets are also available.

For additional information, contact:



An optional 4,000-watt electric heater mounts in the cover of Model K-24, K-90 and K-94 dryers for those difficult drying jobs. A 600-watt unit is standard on the tabletop Model K-11. Air is drawn in over the heat fins and immediately reaches peak temperature. Optional steam units are also available for the Model K-24, K-90 and K-94.

YOUR NEW HOLLAND DEALER



Design, materials and/or specifications are subject to change without notice and without liability therefor. Specifications are applicable to units sold in Canada, the United States, its territories and possessions, and may vary outside these areas.

© 1997 New Holland North America, Inc.



Safety begins with a thorough understanding of the equipment. Always make sure you and your operators read the Operator's Manual before using the equipment. Pay close attention to all safety and operating decals and never operate machinery without all shields, protective devices and structures in place.

31001146 • 6023.5 • MB • PRINTED IN U.S.A.